

**PLEASE CHECK WWW.MOLEX.COM FOR LATEST PART INFORMATION**

**Part Number:** [0351830117](#)  
**Status:** **Planned for Obsolescence**  
**Description:** 2.36mm (.093") Diameter Female Housing, 1 Circuit

**Documents:**

3D Model [Product Specification PS-35183-001 \(PDF\)](#)  
Drawing (PDF) [RoHS Certificate of Compliance \(PDF\)](#)

**Agency Certification**

CSA	LR19980
TUV	R72081037
UL	E29179

**General**

Product Family	Crimp Housings
Series	<a href="#">35183</a>
Product Name	N/A

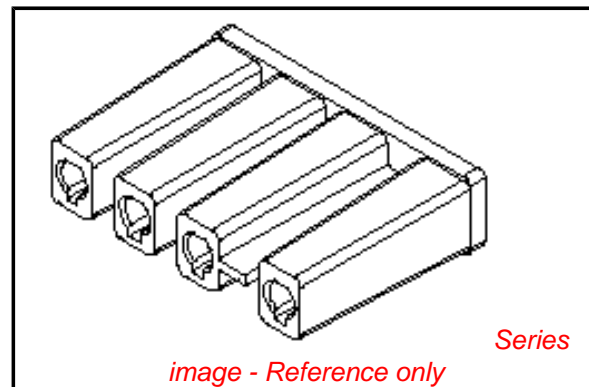
**Physical**

Circuits (maximum)	1
Flammability	94V-1
Gender	Female
Glow-Wire Compliant	No
Number of Rows	1
Packaging Type	Bag
Panel Mount	No
Pitch - Mating Interface (in)	0.315 In
Pitch - Mating Interface (mm)	8.00 mm
Temperature Range - Operating	-25°C to +85°C

**Material Info**

**Reference - Drawing Numbers**

Product Specification	PS-35183-001
Sales Drawing	SD-35183-011



*image - Reference only*

**EU RoHS**

**ELV and RoHS  
Compliant**  
**REACH SVHC**  
Not Reviewed  
**Halogen-Free  
Status**

**China RoHS**



**Need more information on product  
environmental compliance?**

Email [productcompliance@molex.com](mailto:productcompliance@molex.com)  
For a multiple part number RoHS Certificate of  
Compliance, [click here](#)

Please visit the [Contact Us](#) section for any  
non-product compliance questions.

**Search Parts in this Series**  
[35183Series](#)

**Mates With**  
[35309](#)

**Use With**  
[35716](#)

DO NOT SCALE DRAWING DIMENSION IN METRIC

SIMILAR ITEM

PROJECT NO.

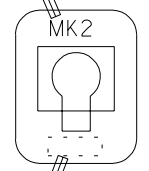
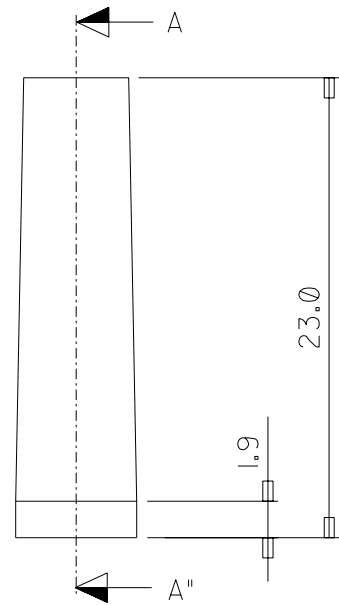
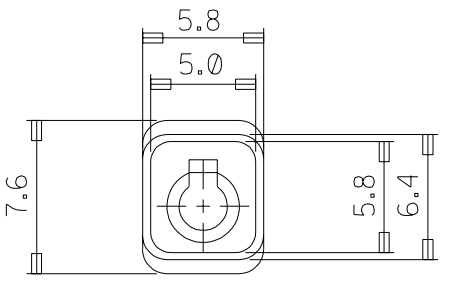
C

B

DWG. NO. SD 35183-011

TRADE MARK

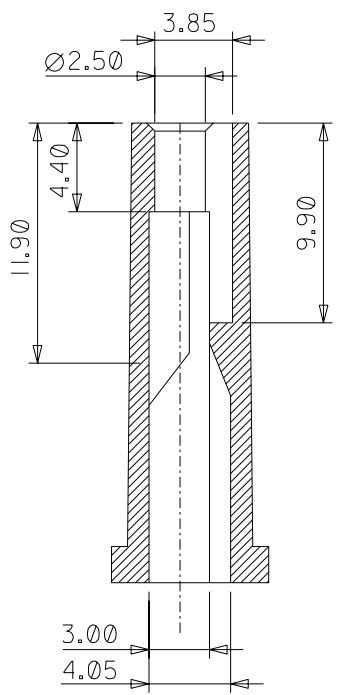
CAV.NO.



MATERIAL NO.	ENG NO.	MATERIAL	COLOR
351830117	35183-0117	NORYL,UL94V-1	GRAY

NOTES

- APPLICABLE TERMINALS: 35716-0110, 35716-0310  
35716-0190, 35716-0193
- MATED WAFER ASSEMBLY: 35309-0110



SECTION A-A"

REVISED EC NO. KOR2002-0151 DRWN: C.B.CHIN 02/06/07 CHK: W.Y.YNAG APPR: C.W.LEE	DESCRIPTION	QUALITY SYMBOLS	GENERAL TOLERANCES: (UNLESS SPECIFIED)		SCALE 4:1	DESIGN UNITS <input checked="" type="checkbox"/> mm <input type="checkbox"/> INCH	<input checked="" type="checkbox"/> THIRD ANGLE <input type="checkbox"/> PROJECTION	DIMENSIONS: <input type="checkbox"/> mm <input type="checkbox"/> INCH <input checked="" type="checkbox"/> mm ONLY	SHT	REV
		MAJOR = 0 CRITICAL = 0	mm	INCH	DRAWN BY & DATE W.Y.YANG 95/01/17	TITLE: 2.36 HOUSING-IP				
C2	REV	4 PLACES	±0.	±.	CHECKED BY & DATE B.K.CHOI 95/01/17		MOLEX INCORPORATED			
		3 PLACES	±0.	±.	APPROVED BY & DATE C.W.LEE 95/01/17					
		2 PLACES	±0.30	±.	CAD FILENAME S1830117.dgn		MATERIAL NO. SEE CHART	DRAWING NO. SD-35183-011	SHEET NO. 10F1	SIZE B
		1 PLACE	±0.30	±.	ANGULAR: ± °		DRAFT WHERE APPLICABLE MUST REMAIN WITHIN DIMENSIONS			THIS DRAWING CONTAINS INFORMATION THAT IS PROPRIETARY TO MOLEX INCORPORATED AND SHOULD NOT BE USED WITHOUT WRITTEN PERMISSION.